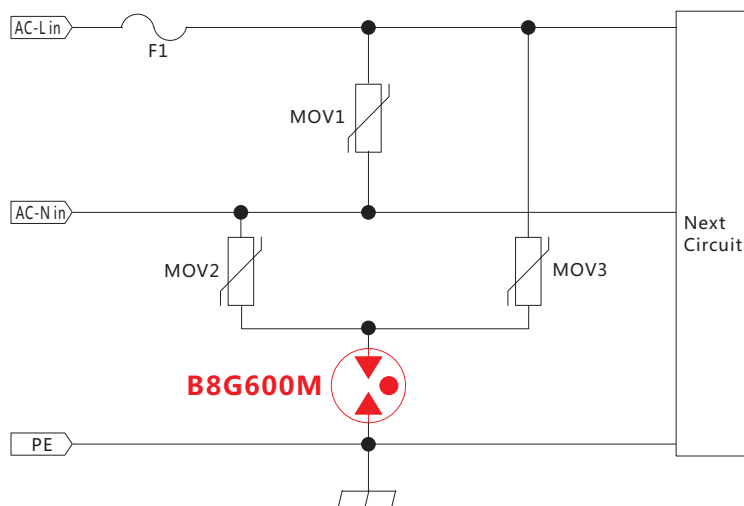


# AC220V端口开路失效GDT

## Open-circuit failure GDT for AC220V port

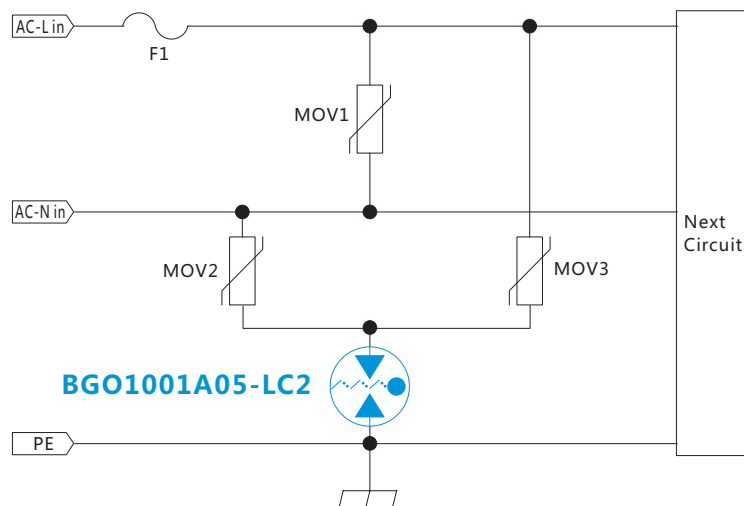
### 方案图/Solution



传统方案



模城电子创新方案




### 防护等级/Surge level

- IEC61000-4-5:2014
- 1.2/50 $\mu$ s-8/20 $\mu$ s
- CM/DM:10KV-5KA

### 优势/Features:

- 开路失效 ;  
Fail-safe.
- 高可靠性。  
High reliability.

### 产品参数/Datasheet

	Part Number	DC Breakdown Voltage( $V_{BR}$ ) 100V/s (V)	Tolerance of $V_{BR}$ (V)	Impulse Spark-over Voltage 1KV/ $\mu$ s (V)	Arc Voltage ( $V_a$ ) (V)@1A	Impulse Discharge Current 8/20 $\mu$ s (KA)	Capacitance Co(pF) 0.5VDC@1MHz	Size L*W*H (mm)
		BGO1001A05-LC2	1000	$\geq 800$	$\leq 2000$	$\sim 50$	5	$\leq 1.5$